



**ENVASES SANZ BELDA, S.L.**

Tel.: 34 96 236 02 32 - calidad@envasesanzbelda.es - www.envasesanzbelda.es  
Pol. Ind. San José. Avda, Valencia, parc. 7 - Apdo. de Correos 46 - 46812 Aiello de Malferit, Valencia. (España)



## Technical comercial data

# CU-6.3-UN T.CU-6.3

Serie CUBETA – Versión 17-05-2023

Approved UN 4H2/Y6.5/S Group II and III solids with inner bag,  
marked with a danger triangle for blind people.

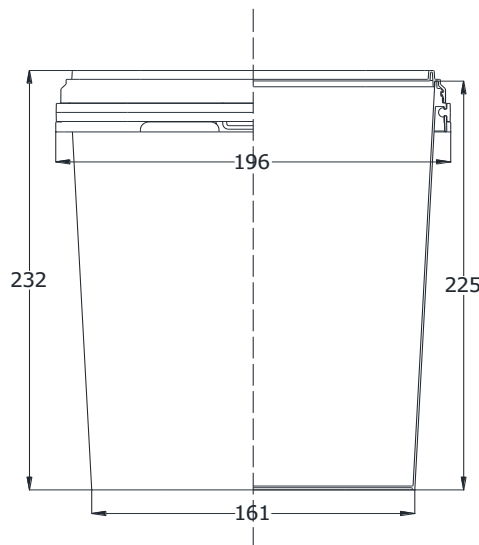
## TECHNICAL DATA:

Material:	PP copolymer of first quality.
Colours:	White standard. Consult for other colours.
Useful Volume:	6 litres
Volume to the edge:	6.3 litres
Weight of the rectangular bucket:	185 g. approx.
Weight of the lid:	56 g. approx.
Weight of the handle (plastic):	6 g. approx.
Total Weight:	247 g. approx.



Design surface photographic finish: 175 x 620 mm (altura x perímetro).

## MEASUREMENTS:



Measurements in millimetres

## GROUPING OF TRANSPORT:

Rectangular buckets: 900 rectangular buckets per pallet  
Pallet dimensions: 1180 x 979 x 1150 (see drawing)

Lids: 180 lids per box, this serves as a  
packaging of transportation

Box dimension: 445 x 210 x 915

